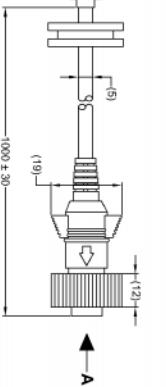
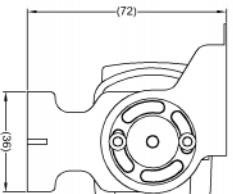
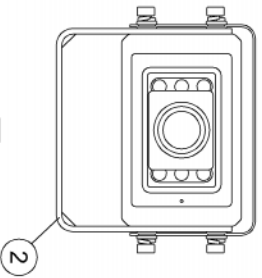
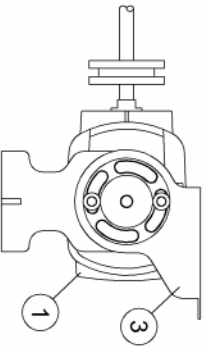
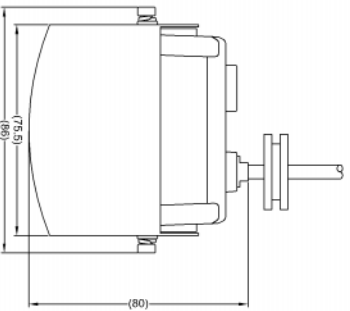
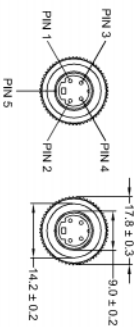
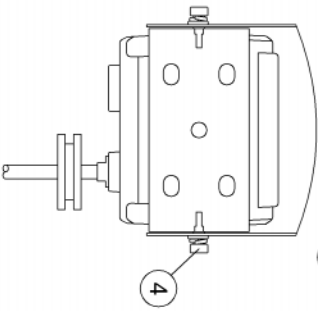
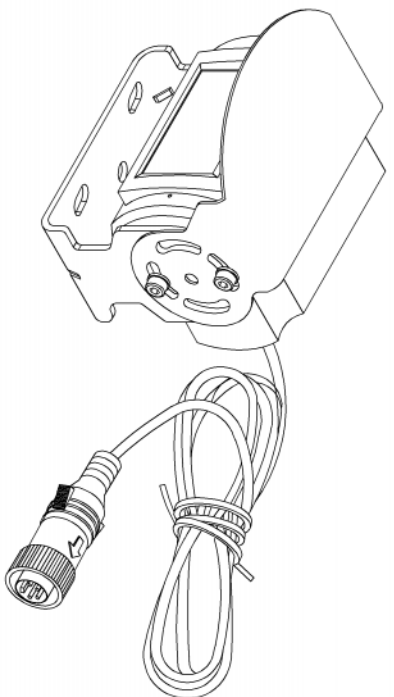
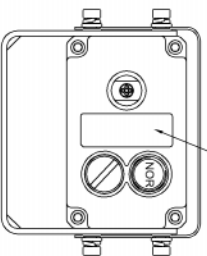


ITEM	PART NO	QTY	MODEL/DESCRIPTION
①	4937	1	BE-850C-C CAMERA ONLY
②	3244	1	BE-89XC/BE-X0XC-BKT CAMERA BRAC KET
③	3245	1	BE-89XC/BE-X0XC-SS CAMERA SUNSHIELD
④	3246	1	BE-2XXC/8XXC-FIX CAMERA FIXING PACK
⑤	4938	1	BE-85XC-IG INSTALLATION GUIDE (NOT SHOWN)



**VIEW A**



**4 PIN MINI-DIN MALE MATING FACE**

PIN #	WIRE COLOUR	DESCRIPTION
1	YELLOW	VIDEO
2	RED	+12VAVDC
3	BLUE	N.C.
4	WHITE	AUDIO
5	BLACKSHIELD	GND

- NOTES:**
- REFER TO 'PRODUCT SPECIFICATION' FOR MORE DETAILS.
  - REFER TO COMPONENT DRAWINGS FOR COMPONENT DETAILS.
  - ENSURE SELF-AMALGAMATING TAPE IS USED DURING INSTALLATION.
  - ANY CUSTOMER MODIFICATION OF THIS PRODUCT CAUSING SUBSEQUENT FAILURE IS NOT A LIABILITY OF BRIGADE ELECTRONICS PLC.
  - FOR SERIAL NUMBER LABEL, REFER TO LATEST REVISION OF DRAWING BE-002901-XX-14.
  - FOR SERIAL NUMBER LABEL, REFER TO LATEST REVISION OF DRAWING BE-001655-XX-11.
  - PURCHASE ORDER TO DEFINE PACKAGING VARIANT.
  - REFER TO LATEST REVISION OF DRAWING BE-002926-XX-14 FOR PACKAGING DETAILS.

**PROPRIETARY NOTICE**

THIS DESIGN AND TECHNICAL INFORMATION APPEARING ON THIS DRAWING IS THE PROPERTY OF BRIGADE ELECTRONICS AND IS DISCLOSED IN CONFIDENCE. IT IS NOT TO BE COPIED, REPRODUCED, REVEALED TO OR EXPLOITED BY OTHERS, EITHER IN WHOLE OR IN PART WITHOUT THE EXPRESS WRITTEN CONSENT OF BRIGADE ELECTRONICS.

Revision Notes			
R1 -	Drawn -	Checked -	Approved -
APA -			Date -

Assembly PI Approval T.CHOI	Approved by B.JOHN	Checked by R.BATES	Drawn by L.BRAR
--------------------------------	-----------------------	-----------------------	--------------------

Angle of Projection  
Third Angle



Third Angle

Status RELEASED	BE-850C
Part No 4924	BE-003166-00-15